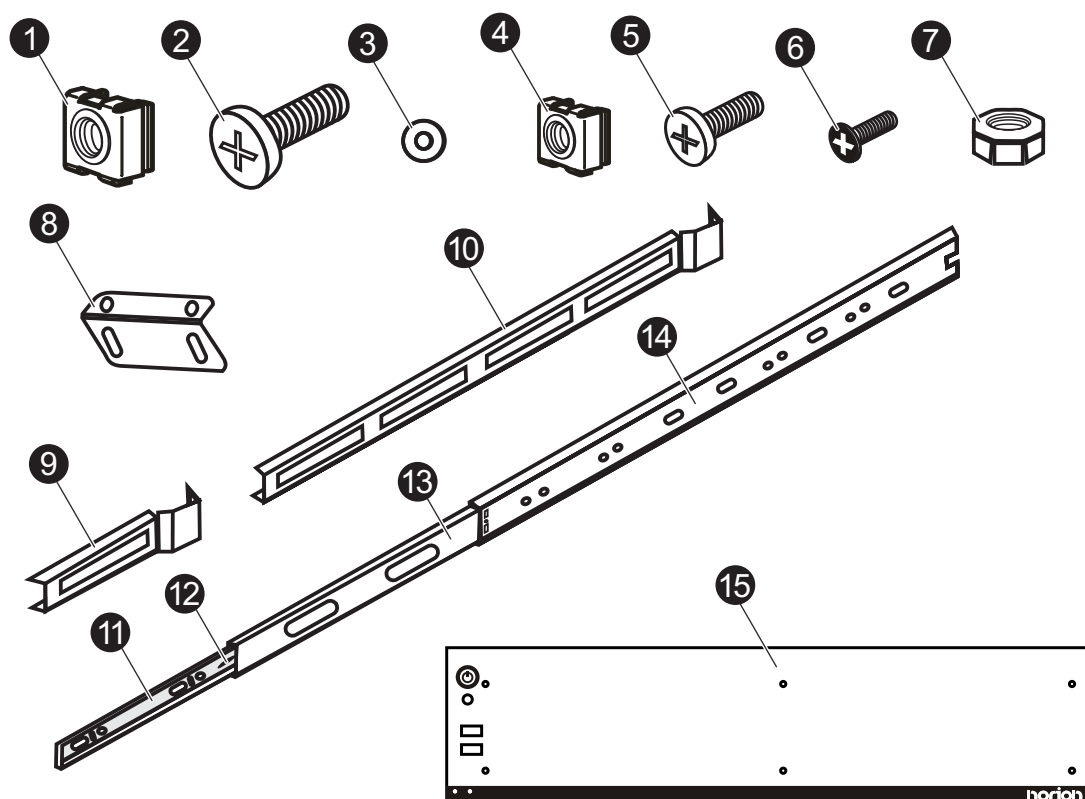


Rail Mounting Manual - 2U Enclosure

Component Identification

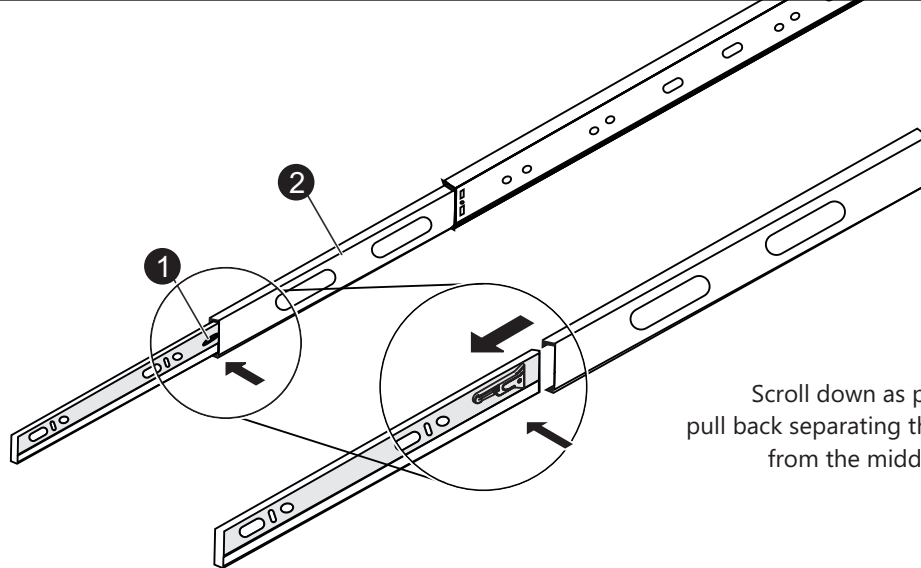
Complete assembly kit



Item Description

- | | | | |
|---|---|----|--|
| 1 | Cage nut M6
(Fixing frame on rack) | 8 | Cabinet ears
(Attached to the cabinet) |
| 2 | Philips pan head screw
M6 (Rack mounting frame) | 9 | Front rail frame
(Fixing the cage nut to the front frame) |
| 3 | M6 washer
(Between bolt and cage nut M6) | 10 | Rear rail frame
(Fixing the cage nut to the rear frame) |
| 4 | M4 cage nut
(Fixing rail to frame) | 11 | Minor cursor
(Rail Trip) |
| 5 | Philips pan head screw
M4 (Fastening rail to frame) | 12 | Tongue
(Smaller cursor disengagement) |
| 6 | Philips flat head screw M2
Black (Fixing Ear to Cabinet) | 13 | Middle Cursor
(rail mobility) |
| 7 | M4 nut
(Fixing shorter rail to enclosure) | 14 | Rail Cursor
(Fixed the frames) |
| | | 15 | 2U Rack Cabinet |

Rail trip

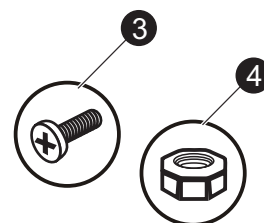
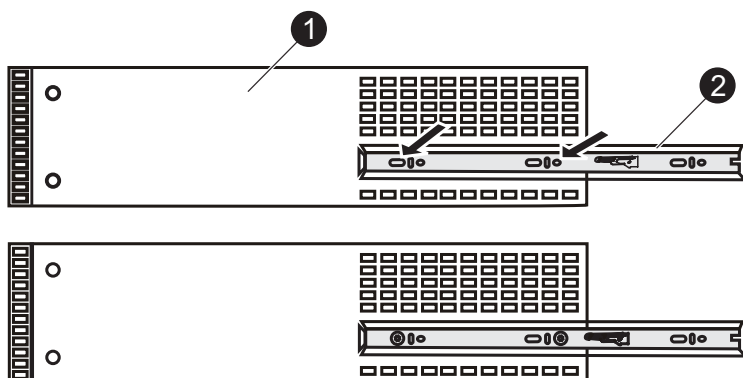


Scroll down as picture and pull back separating the smaller cursor from the middle cursor.

Item	Description
------	-------------

- | | |
|---|--|
| 1 | Tongue
(Cabinet Rail Trip) |
| 2 | Middle Cursor
(Rail slider disengage and secure to enclosure) |

Fastening the rail to the cabinet

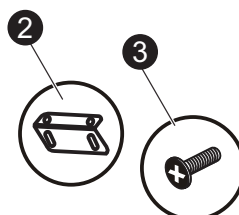
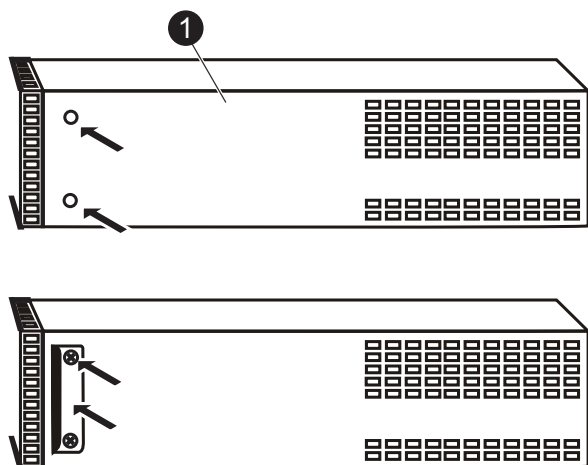


Fix the smallest rail cursor to part 2U Rack Enclosure External M4 nut and 2 Philips head screw of pan M4 on each side.

Item	Description
------	-------------

- | | | | |
|---|------------------------------|---|---|
| 1 | 2U Rack Cabinet | 3 | Philips pan head screw M4
(Fixing rail to frame) |
| 2 | Rail Frame
(Minor cursor) | 4 | M4 nut
(Fixing rail to frame) |

Attachment of ears to cabinet

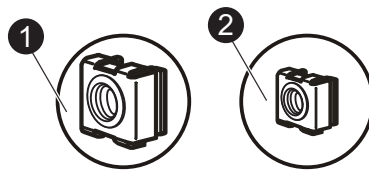
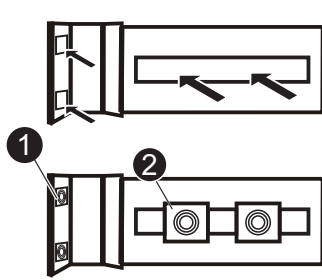


Item	Description
------	-------------

- | | |
|---|--|
| 1 | 2U Rack Cabinet |
| 2 | Cabinet ears
(Attached to the cabinet) |
| 3 | Philips Head Screw
flat M2 Black
(Fixing ear in cabinet) |

Attach the ears to the outside sides of the 2U Rack cabinet using the M4 Black screws on each side.

Fastening the cage doors to the front frame

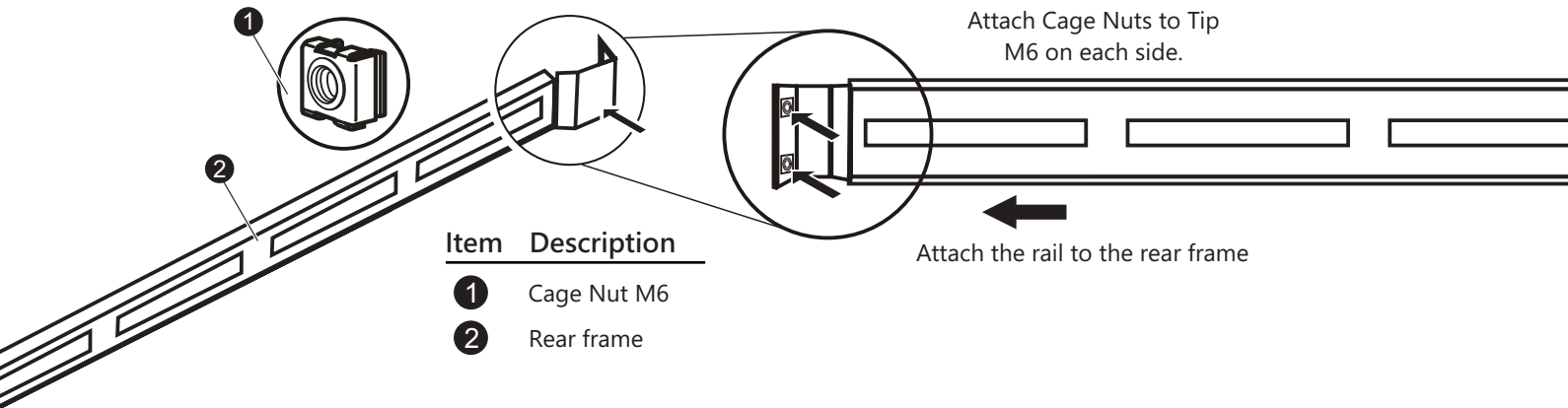


Item	Description
------	-------------

- | | |
|---|-------------|
| 1 | Cage Nut M6 |
| 2 | Cage Nut M4 |

Secure the M4 Cage Nuts in the center on each side.
Secure the M6 Cage Nuts to each end.

Fastening the cage doors to the rear frame

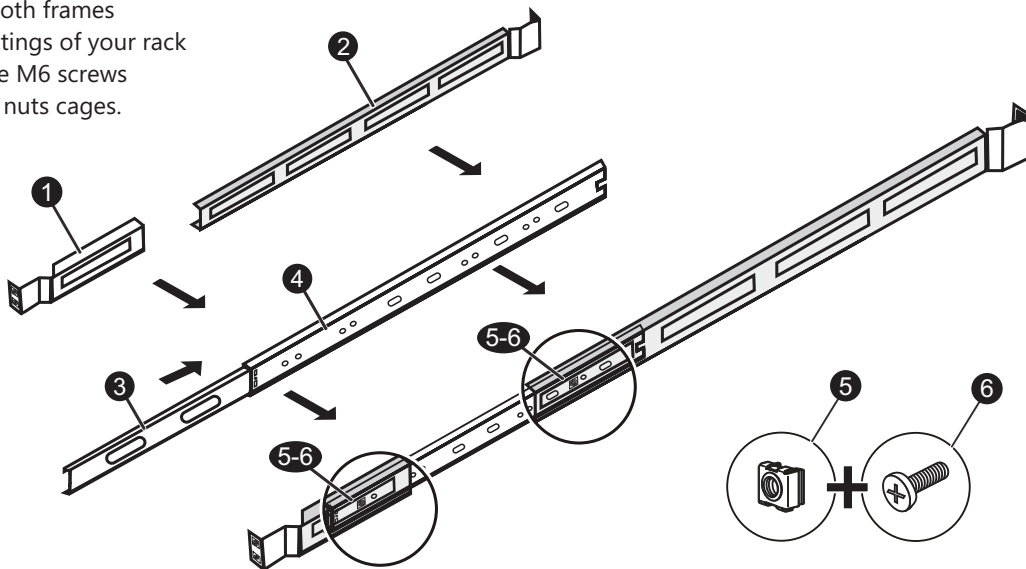


Item	Description
------	-------------

- | | |
|---|-------------|
| 1 | Cage Nut M6 |
| 2 | Rear frame |

Fastening the rail to the front and rear frame

Attach both frames in the fittings of your rack using the M6 screws with the nuts cages.



Item	Description
------	-------------

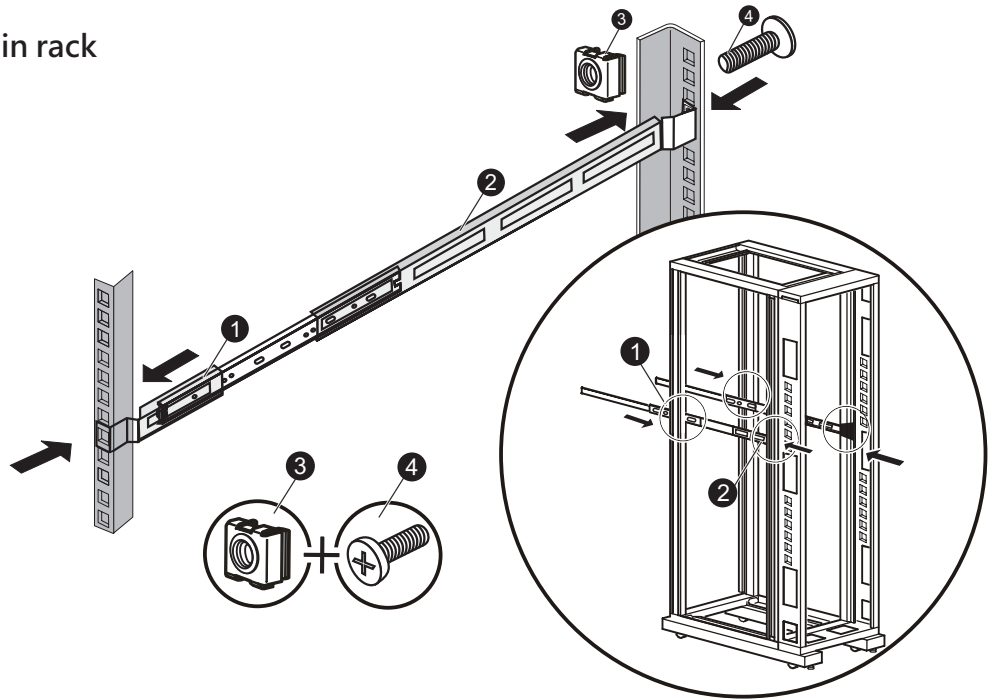
- | | | | |
|---|--|---|---------------------------------------|
| 1 | Front rail frame
(Rack mounting at front using the front frame) | 4 | Rail courses
(Fixed the frames) |
| 2 | Rear rail frame
(Rack mounting behind using the rear frame) | 5 | M4 cage nut
(Fixing rail to frame) |
| 3 | Medium Cursor
(rail mobility) | 6 | M4 screw
(Fixing rail to frame) |

Fixing front and rear frame in rack

Attach both frames to the notches your rack using the M6 screws with the nuts cages.

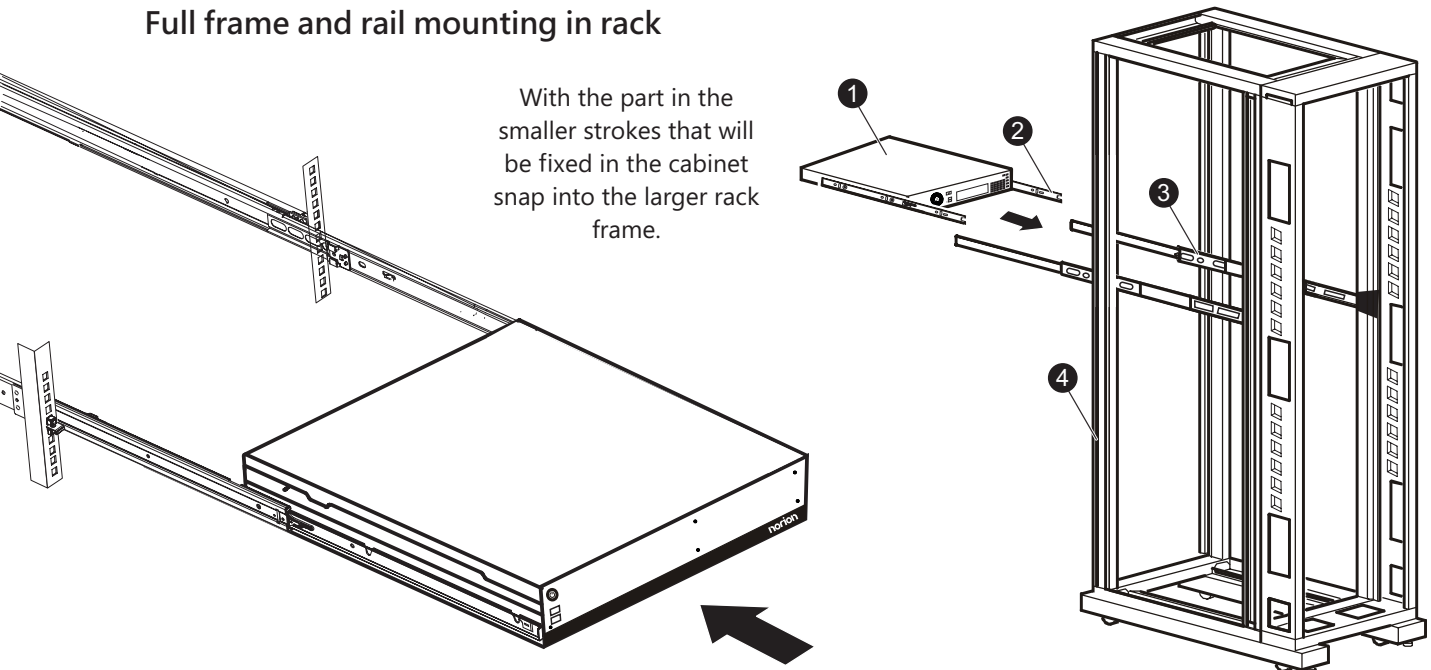
Item	Description
------	-------------

- | | |
|---|--|
| 1 | Front rail frame
(Rack mounting at front using the front frame) |
| 2 | Rear rail frame
(Rack mounting behind using the rear frame) |
| 3 | Cage nut M6
(Fixing frame on rack) |
| 4 | M6 screw
(Fixing frame on rack) |



Full frame and rail mounting in rack

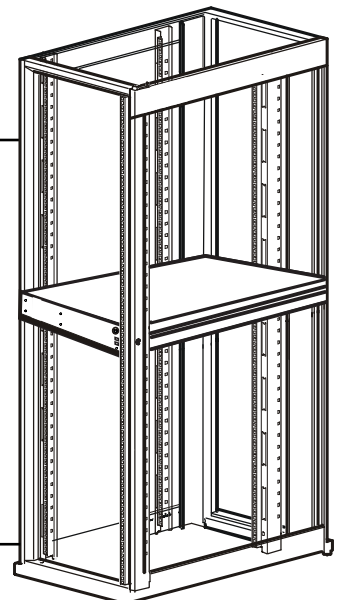
With the part in the smaller strokes that will be fixed in the cabinet snap into the larger rack frame.



Complete Fitting Finished

Item	Description
------	-------------

- | | |
|---|-----------------|
| 1 | 2U Rack Cabinet |
| 2 | Minor cursor |
| 3 | Rail Cursor |
| 4 | Rack |



First Edition (July 2017)

Reference Manual - Rail Mounting 2U Rack Cabinet